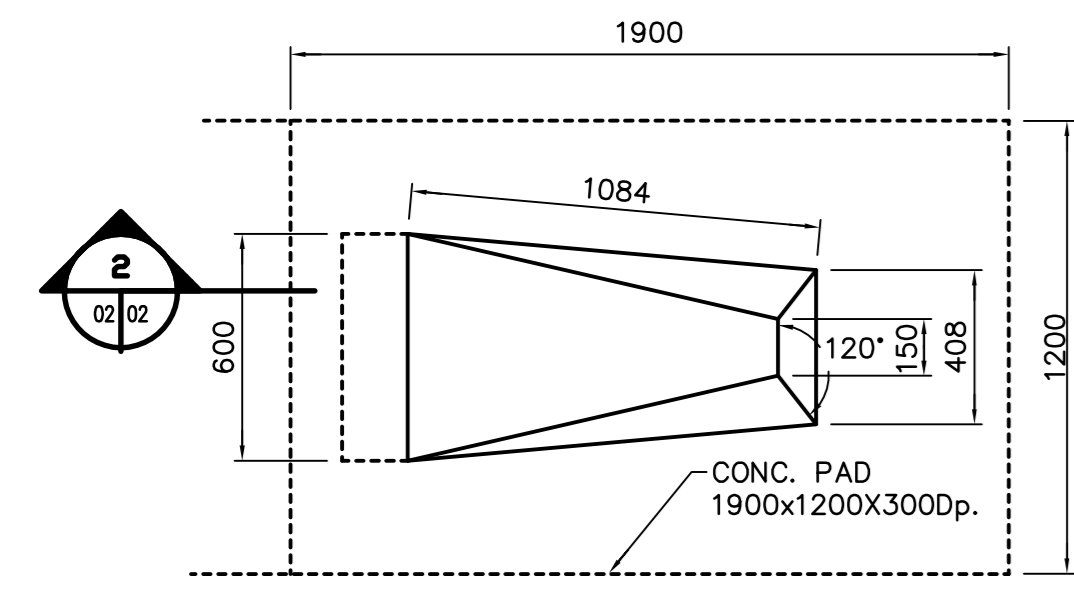
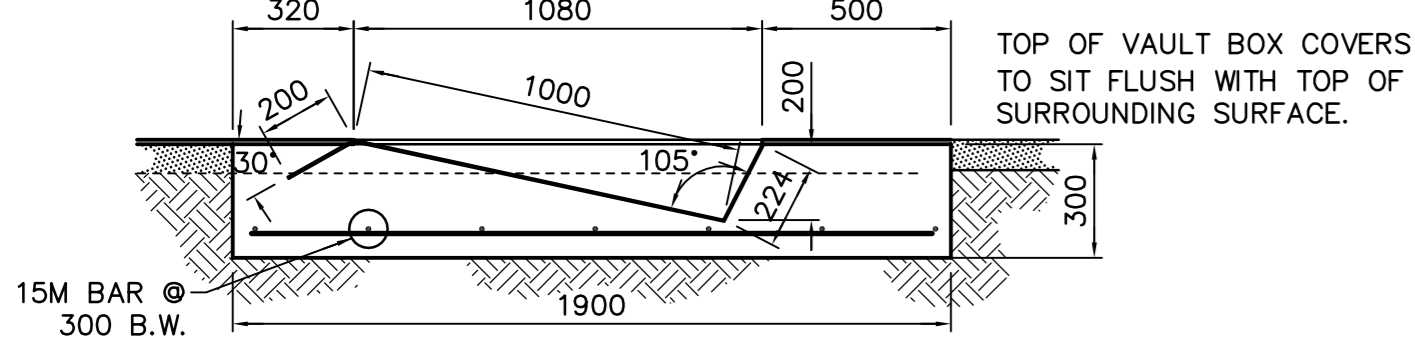


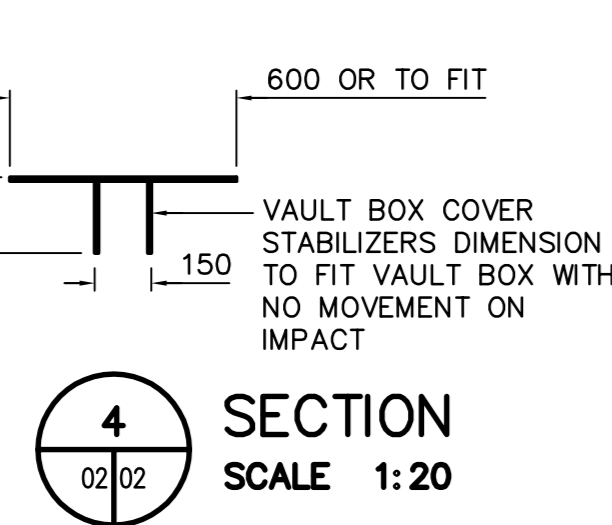
1 VAULT BOX DETAIL
SCALE 1:20



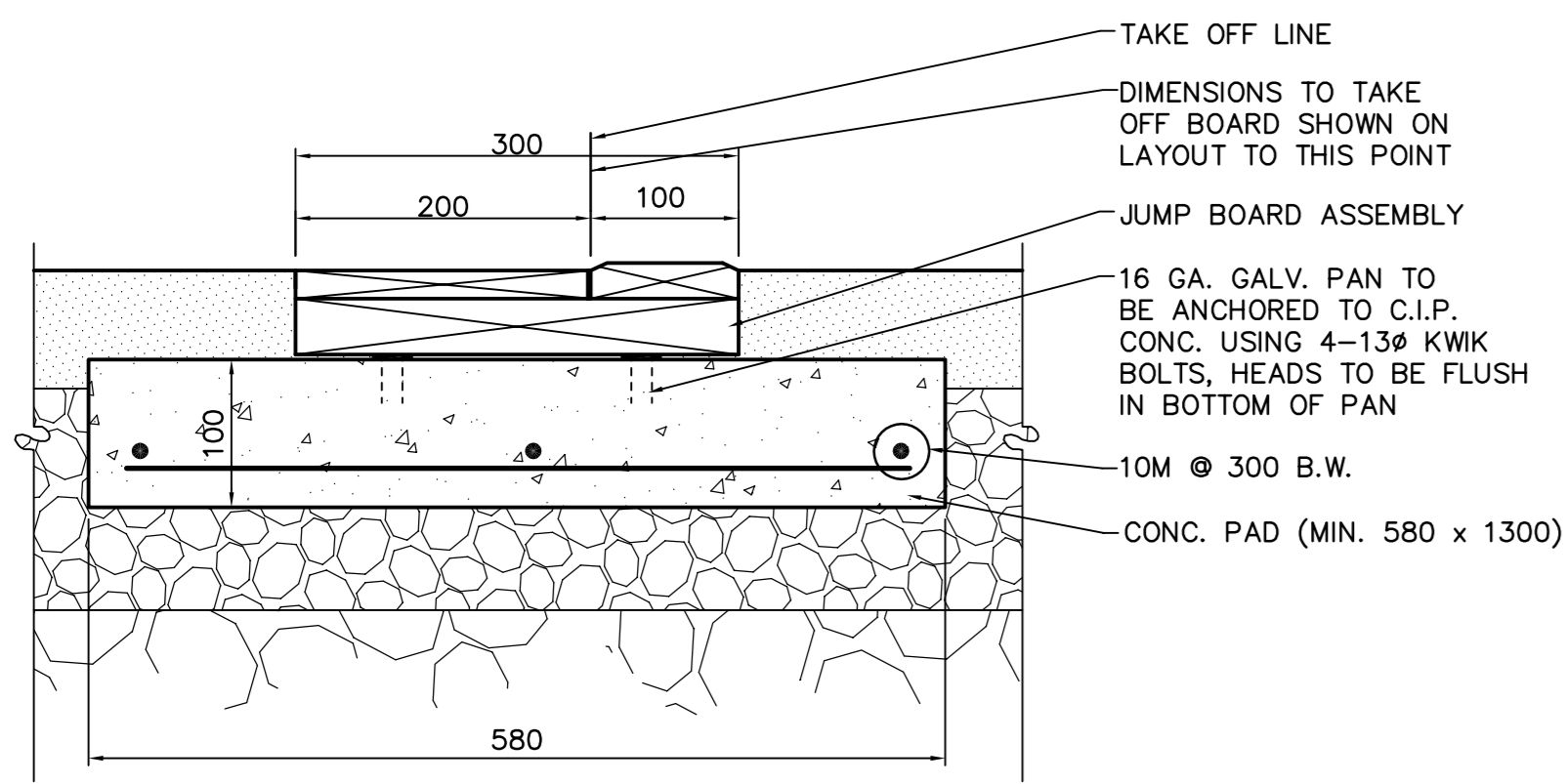
2 SECTION
SCALE 1:20



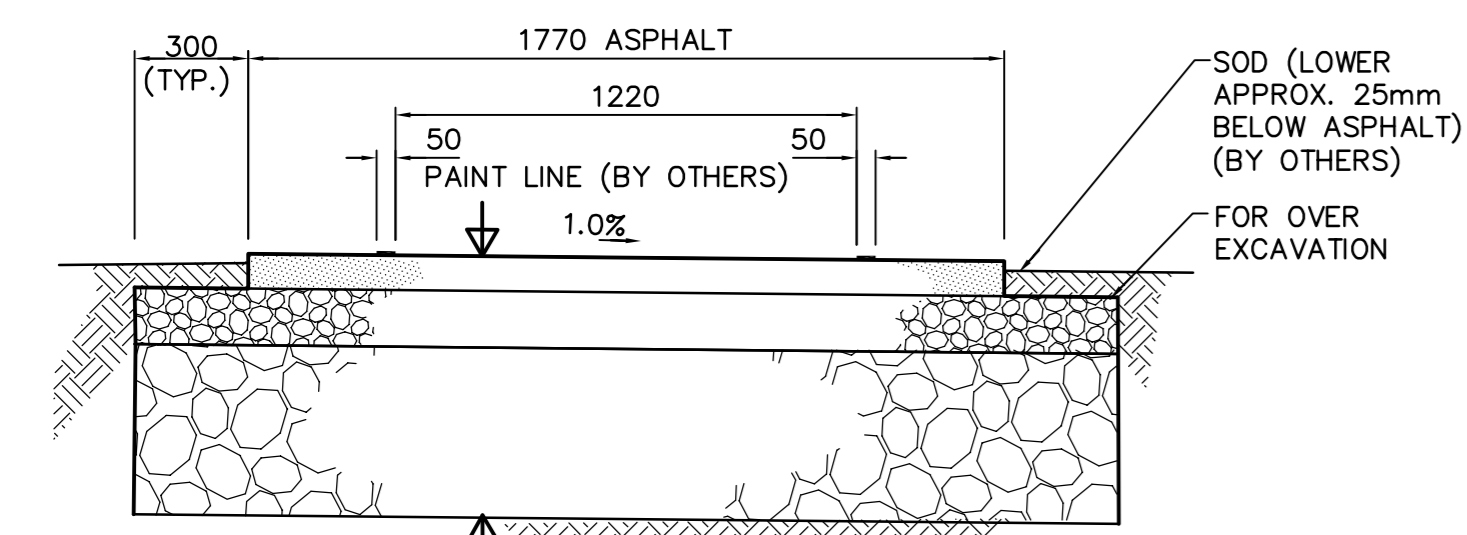
3 SECTION
SCALE 1:20



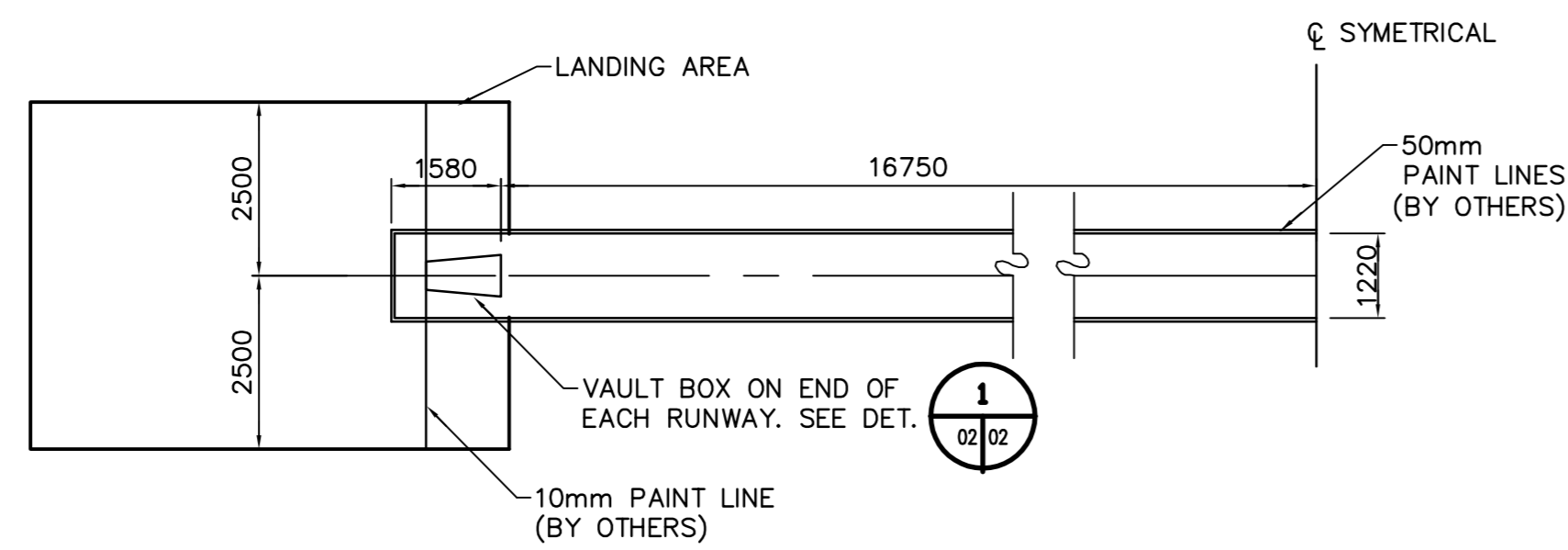
4 SECTION
SCALE 1:20



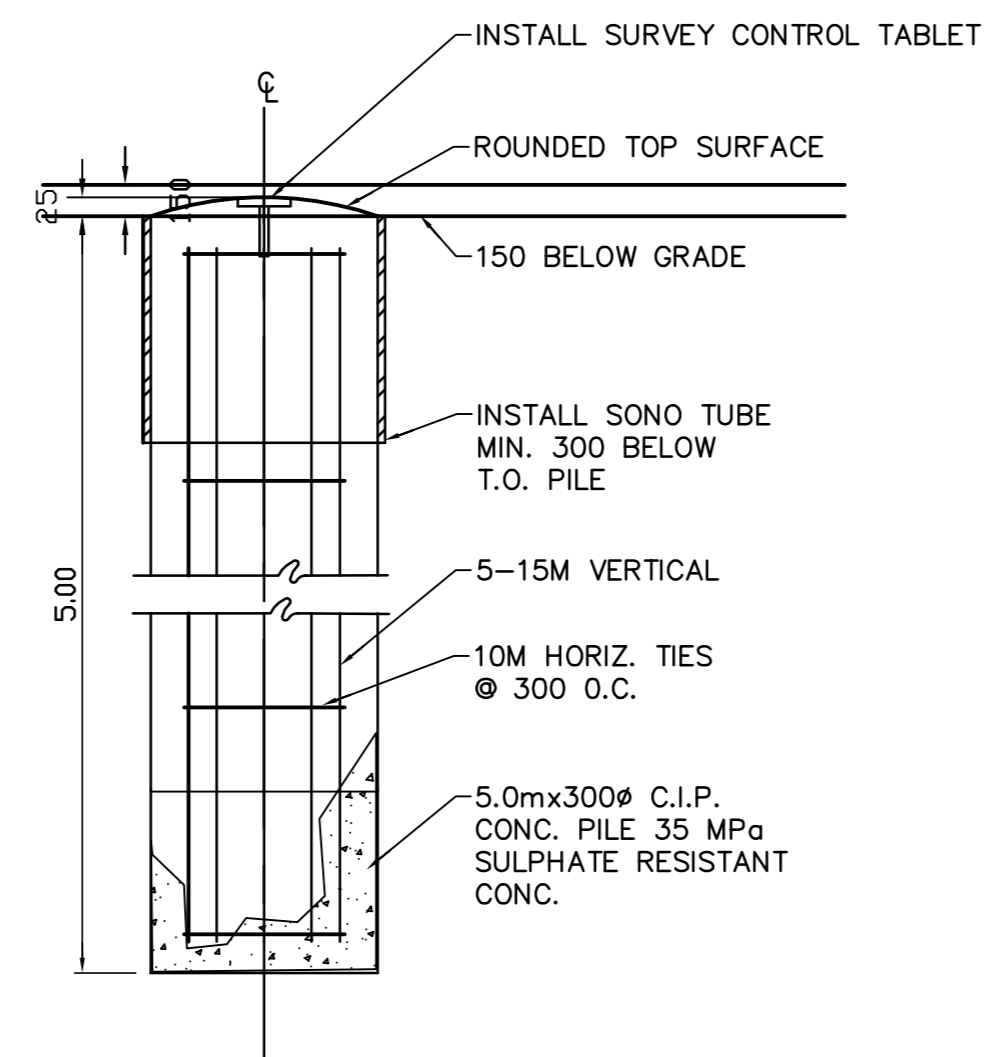
5 SECTION
SCALE 1:5



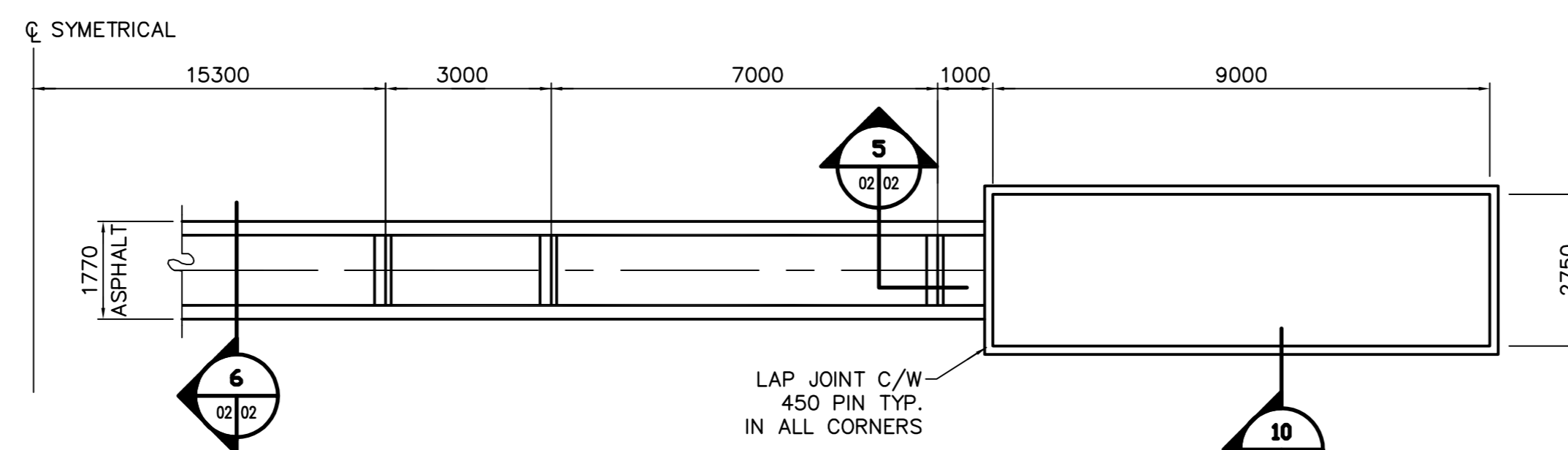
6 TYPICAL CROSS-SECTION OF LONG JUMP RUNWAY
SCALE 1:20



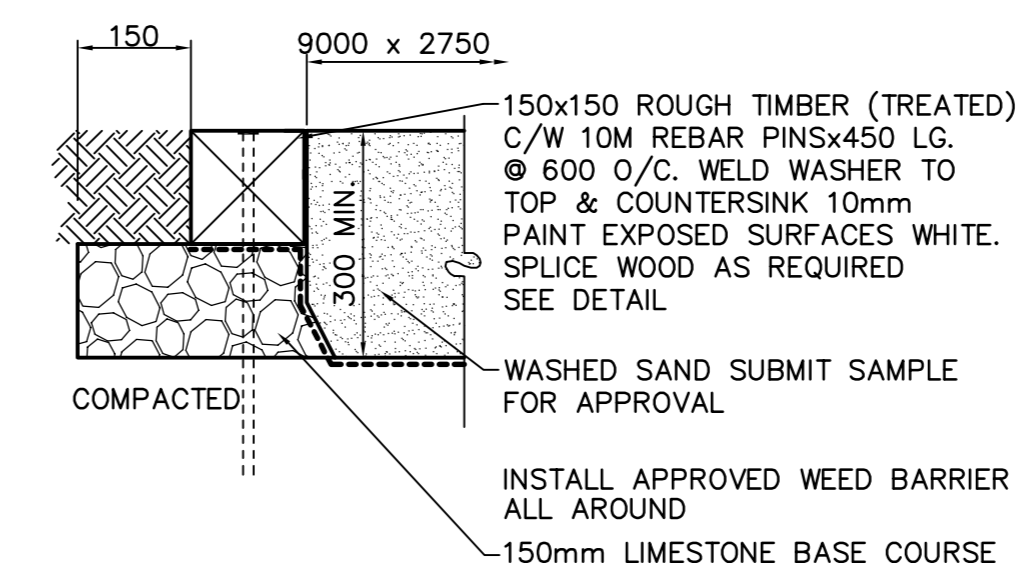
7 PLAN - POLE VAULT RUNWAY
SCALE 1:100



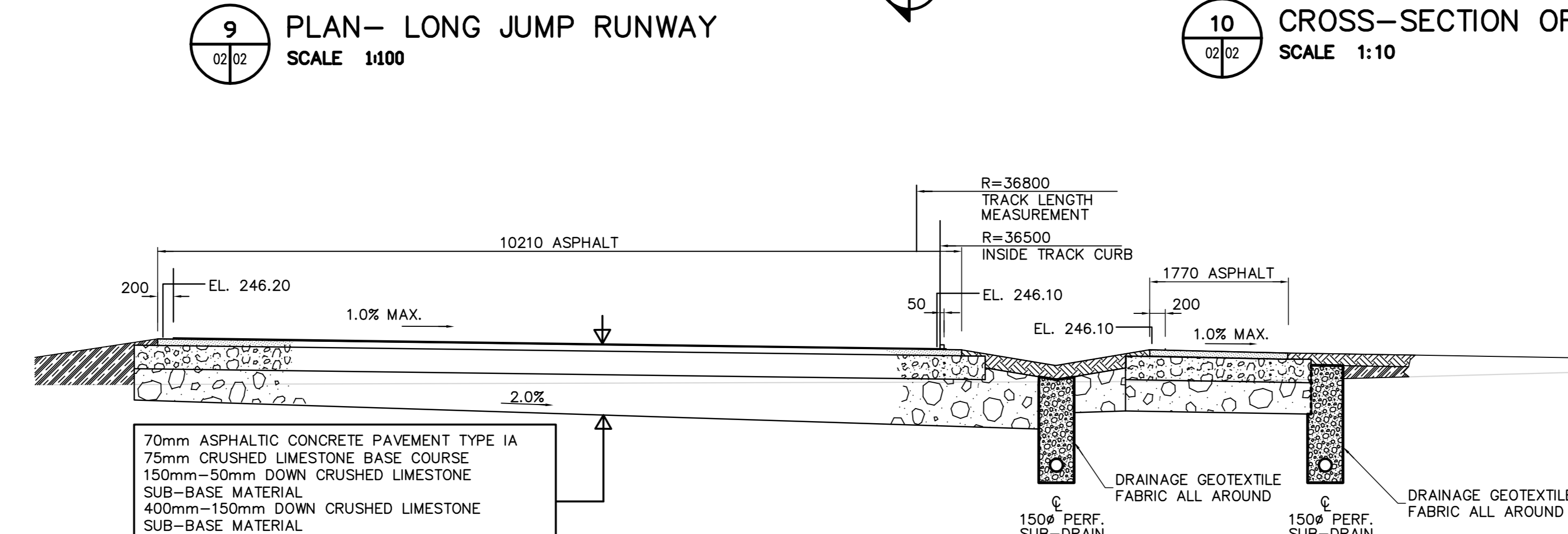
8 SURVEY MONUMENT FOUNDATION
SCALE NTS



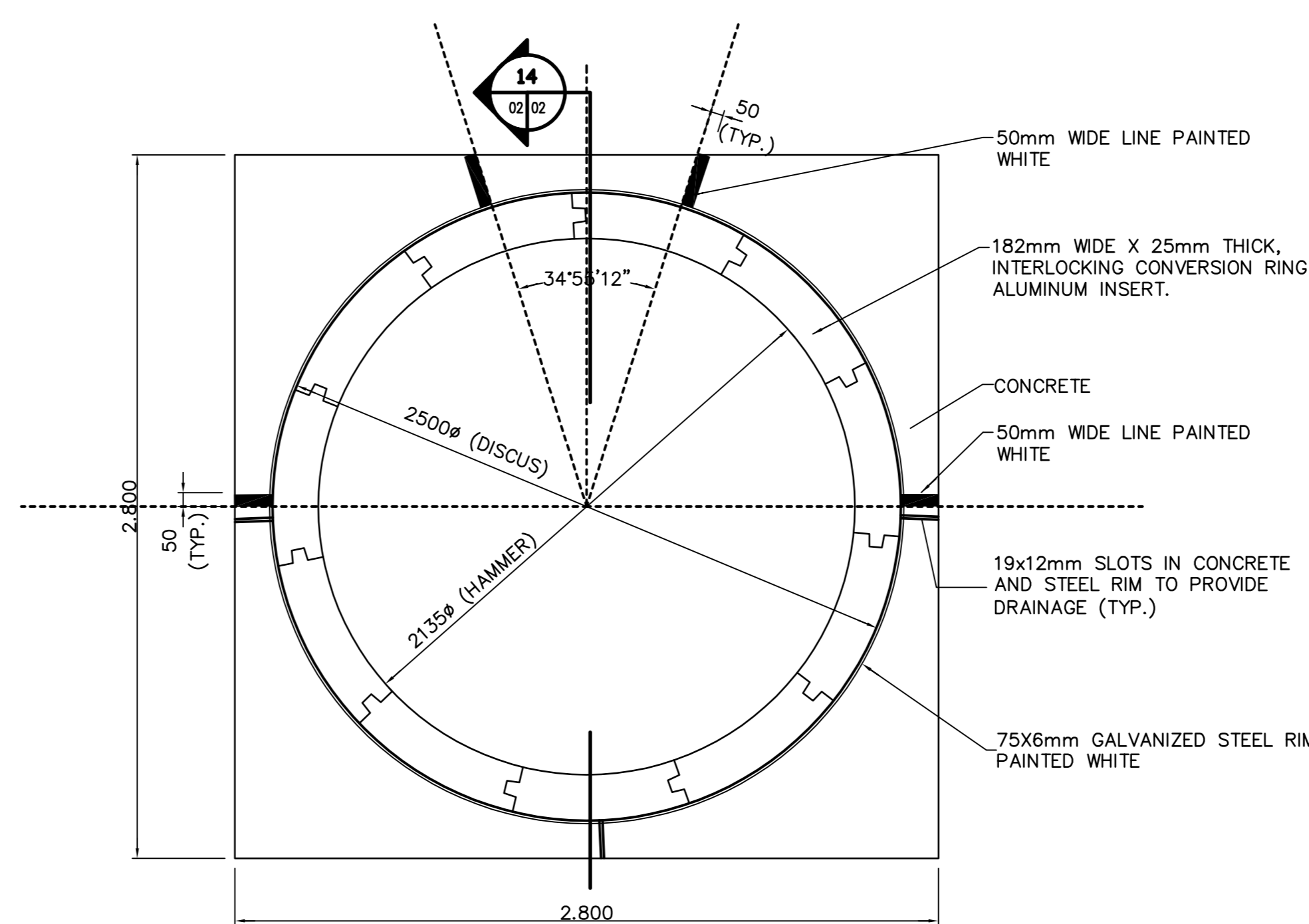
9 PLAN - LONG JUMP RUNWAY
SCALE 1:100



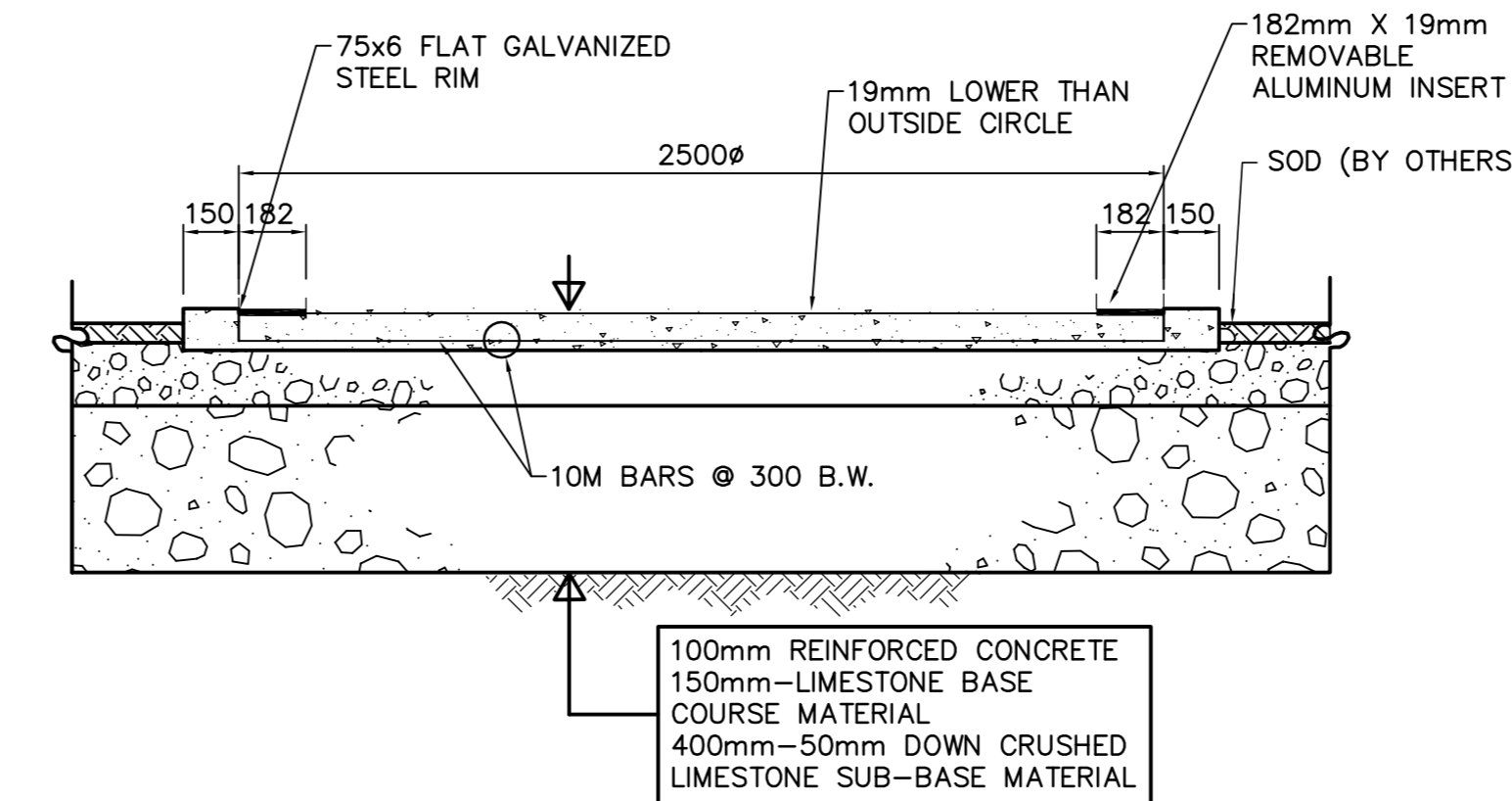
10 CROSS-SECTION OF JUMP PIT
SCALE 1:10



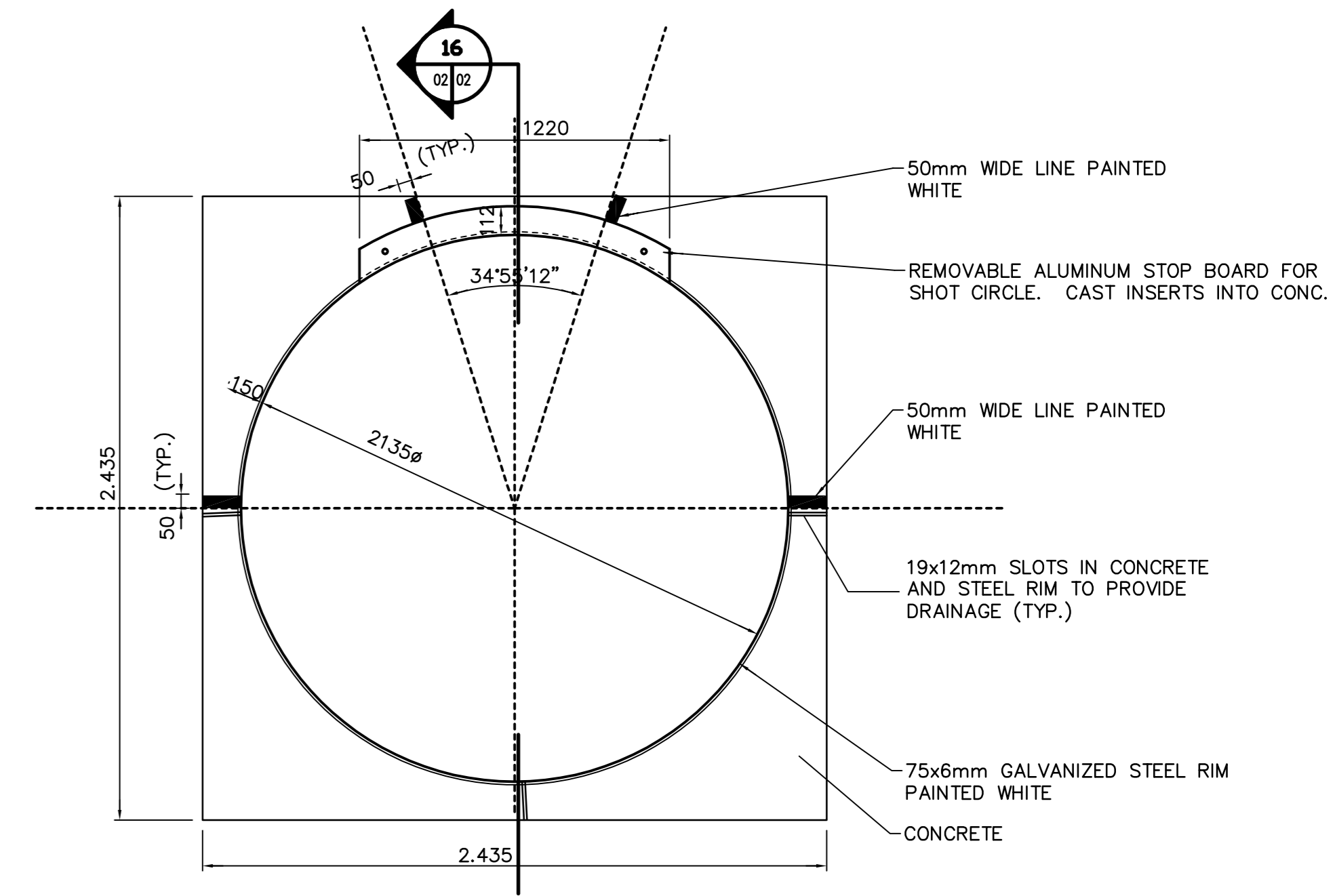
12 TYPICAL CROSS-SECTION OF TRACK
SCALE 1:50



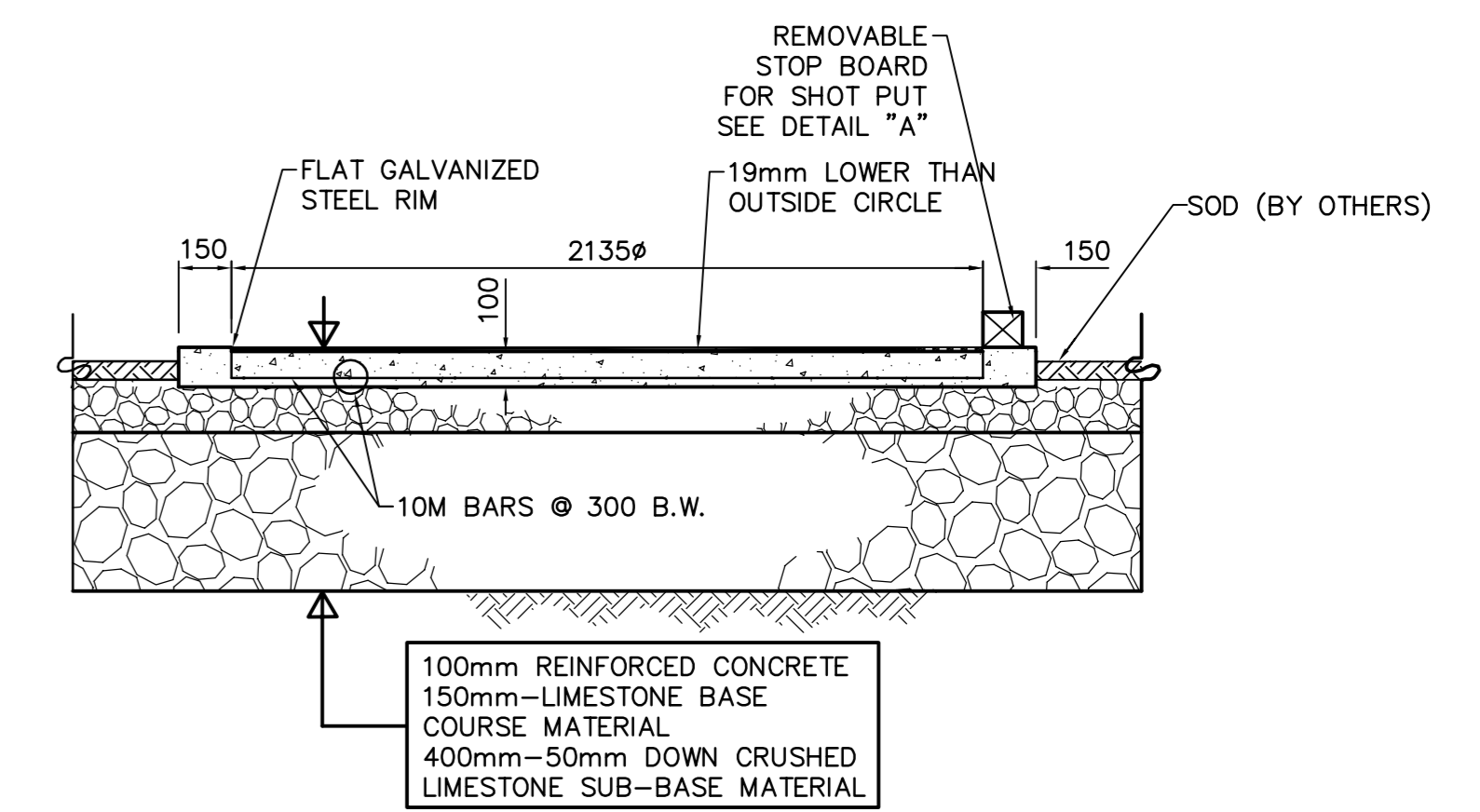
13 COMBINATION DISCUS/HAMMER CIRCLE
SCALE 1:20



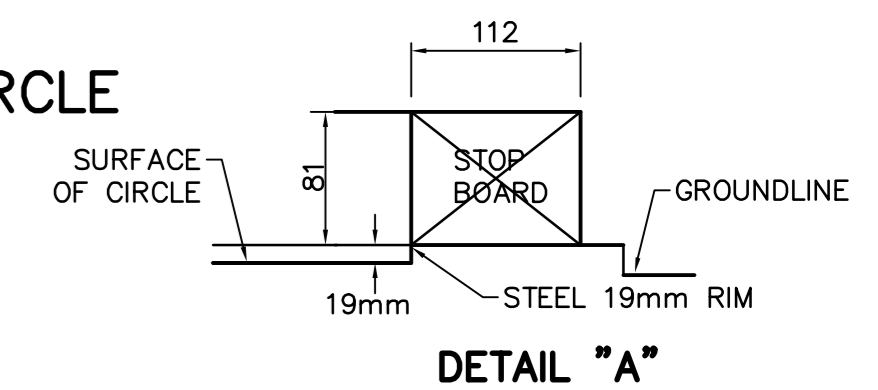
14 SECTION THRU COMBINATION DISCUS/HAMMER CIRCLE
SCALE 1:20



15 SHOT CIRCLE
SCALE 1:20



16 SECTION THRU SHOT CIRCLE
SCALE 1:20



17 TYPICAL CROSS-SECTION JAVELIN RUNWAY
SCALE 1:20

A. DETAIL NUMBER
B. DRAWING WHERE DETAIL SHOWN
C. CROSS REFERENCE TO DRAWING WHERE DETAIL INITIALLY TAKEN

no.	y/m/d	revision	by	app.
A	10/03/01	PRELIMINARY DESIGN ISSUED FOR REVIEW	PAAP	TGS

AECOM

project
SUNRISE SCHOOL DIVISION
RM OF SPRINGFIELD

designed scale y/m/d
AS NOTED 2010 02 26

drawn project no.
PAAP 060143286

TYPICAL
DETAILS AND SECTIONS

checked drawing no.
approved RT02

METRIC
WHOLE NUMBERS INDICATE MILLIMETRES
DECIMALIZED NUMBERS INDICATE METRES

rev.
A